

”Everything is placed
within your reach
– regardless of your height”



DIAGONAL

YOUR KITCHEN CABINET COMES FORWARDS AND REACHES NEW HEIGHTS

Electrical height adjustable system Diagonal is a system of cabinets that runs diagonally down and forward in one movement in order for you to reach the contents of the cabinets.

Ideal for users of slight stature and for wheelchair users at home, in sheltered accommodation or nursing homes.

Especially for people with limited reach it is an advantage that the cabinets run diagonally down and forward so the limited reach is not so long.

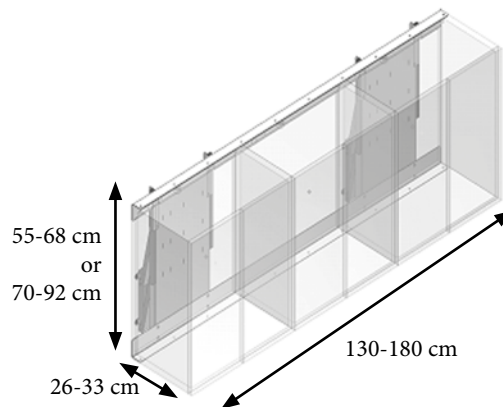
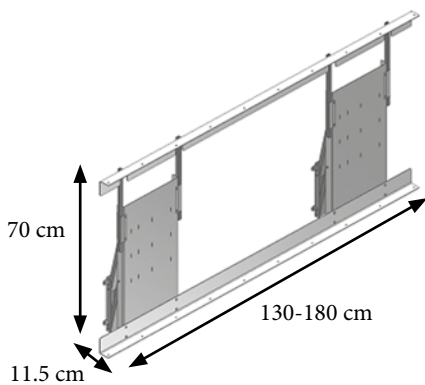
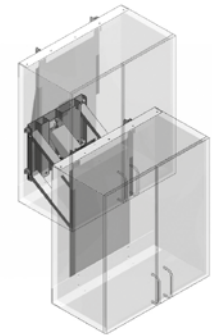
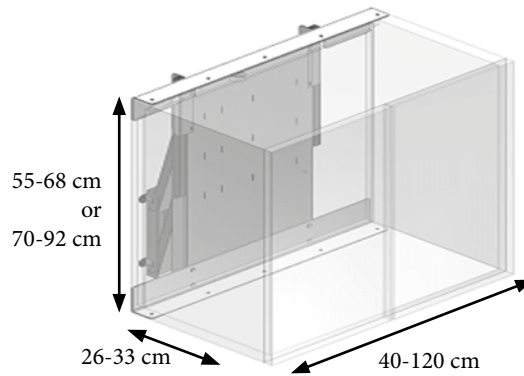
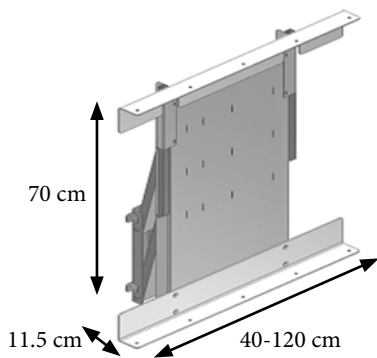
You can combine more upper cabinets in one system by using the Diagonal system.

Movement of the system is by push button, normally mounted into the worktop fascia.



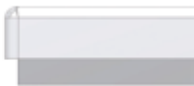
DIAGONAL

Max. load: 120 kg evenly distributed
Frame height: 55-68 cm or 70-92 cm
Frame length: 40-180 cm
Frame depth: 11.5 cm



ACCESSORIES

Safety stop plate



Press pad,
large, 14x7 cm
30-67841



Smart box
30-69002



LED spot in safety stop plate
Contact Ropox for itemnumber



Required when the
Diagonal is above
a FlexiElectric worktop

Tips:

- We recommend double kitchen doors for cabinets for widths from 60 cm. In that way the users don not need to move back to open the doors.
- Allow 3-5 mm of space on each side of the upper cabinets to make sure that the cabinets can run freely up and down.
- We always recommend safety stops for electrical frames.

The items are produced according to the following Directives and Standards: DS/EN 12182 – 2012.

ROPOX A/S · RINGSTEDGADE 221 · 4700 NÆSTVED, DENMARK
PHONE: +45 5575 0500 · INFO@ROPOX.DK · WWW.ROPOX.COM

ROPOXTM
BETTER WAYS TO BETTER DAYS